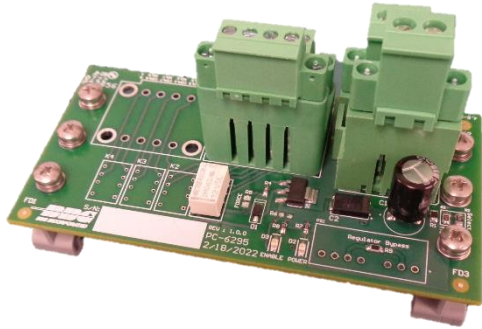


PW-6295-1P



The actual product may differ from image shown.

Relay PCB

Description

The PW-6295-1P Relay PCB provides a rugged relay contact with low control current requirements.

The Relay PCB also includes a factory configurable voltage divider to allow for monitoring of an external relay contact. The PCB is configurable with up to 4 DPST relays, providing a maximum of 8 relay contacts.

Note: Configuration changes will result in a different part number.

Applications

- Sonar Systems
- Radar Systems
- Navigation Systems
- Industrial Processes
- Meteorology Instruments
- Many Others

Features

- Din rail mount
- Shock Resistant
- Up to 8 relay contacts
- Low control current requirements

BBG Incorporated

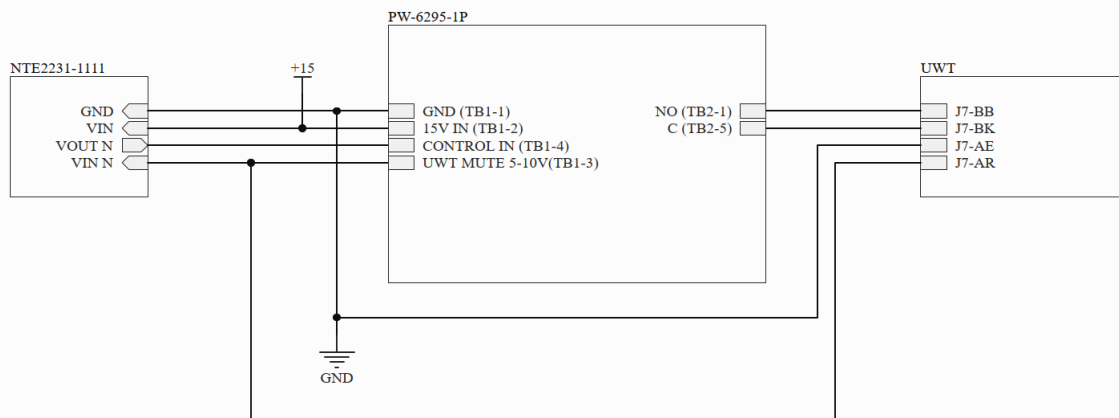
1708 South Park Court • Chesapeake, VA 23320

Phone:(757) 366-9211 • Fax:(757) 366-9170 • E-mail: sales@bbginc.com • Website: www.bbginc.com

PW-6295-1P

Product Specifications

Chart



The PW-6295-1P Relay PCB operates on 15 VDC power and a 3-15 VDC relay control voltage. The Relay PCB provides two single-pole single-throw normally open (NO) relay contacts.

Technical Specifications

Parameter	Value	Units
Inputs		
Power	12-15	Volts DC
	~20	Milli Amp
Relay Control	3-15	Volts DC
	0.5	Milli Amp @ 3V
	5	Milli Amp @ 15V
Outputs		
Pull-up	5-8.5	Volts DC (Open Circuit)
	3	Milli Amp
Operating	0 to +60	C°
Storage	-65 to +150	C°
Weight	2.12, 60	Oz, Gram
Dimensions	1.91W x 3.76L x 2.38H	In
	4.85W x 9.55L x 6.05	Cm



1708 South Park Court • Chesapeake, VA 23320
: (757) 366-9211 • Fax: (757) 366-9170
E-mail: sales@bbginc.com • Website: www.bbginc.com

UL Contact Rating		
Voltage	Current	Power
110VDC	0.3A	33W
220VDC	0.27A	60W
125VAC	0.5A	62.5W
250VAC	0.25A	62.5W
30VAC	2A	62.5W

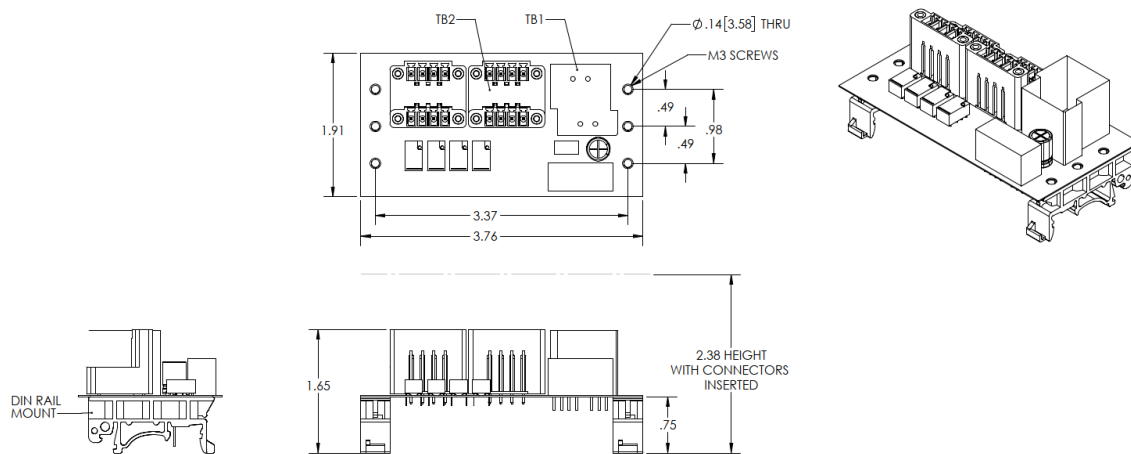
DEFAULT CONFIGURATION

The Relay PCB comes factory configured to customer requirements. Configuration changes must be made at the factory and will result in a different P/N. PW-6295-1P is factory configured to provide two single-pole single-throw normally open (NO) relay contacts.

LED D2 provides visual indication that input power is being received.

LED D3 provides visual indication that the relay is enabled (closed).

DIMENSIONS



CONNECTOR LIST

Inputs and outputs are available on screw type terminal blocks provided with the PCB.

Terminal Number	Signal Name
TB1-1	DC Ground
TB1-2	15 VDC Power In
TB1-3	Pull-up Voltage Output
TB1-4	Relay Control Input
TB2-1	NO Contact 1
TB2-5	COM Contact 1
TB2-2	NO Contact 2
TB2-6	COM Contact 2