



BBG-UDR Universal Data Recorder



Description

The Universal Data Recorder (UDR) is a stand-alone system, which provides data format conversion between a Voyage Management System and a dot matrix printer.

The UDR is factory configurable to customer requirements for easy field installation.

Applications

- Radar Systems (antenna azimuth)
- Navigation Systems (gyrocompass, speedlog, course, pitch, and roll)
- Industrial Processes (position, velocity)
- Meteorology Instruments (wind speed and direction)
- Many Others

Features

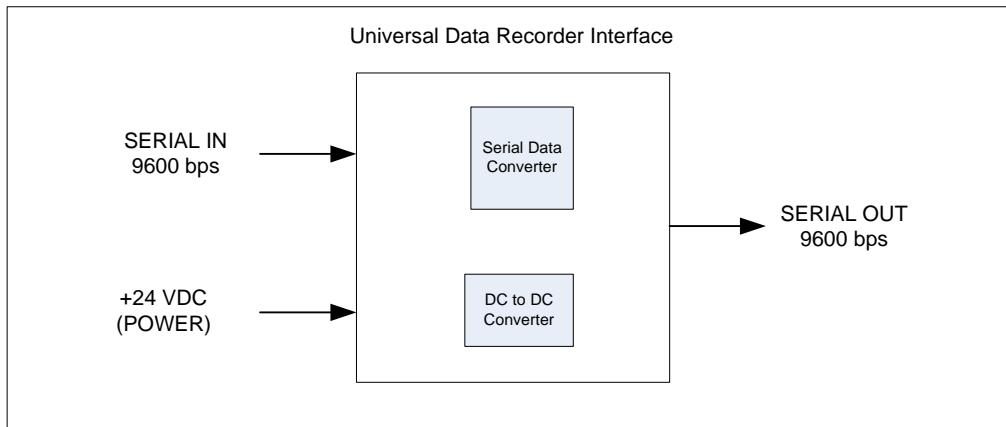
- NEMA-0183 Compatible
- Serial RS-232 Input
- Serial RS-232 Output
- Custom Serial Data Formats available upon request

BBG Incorporated

1708 South Park Court • Chesapeake, VA 23320

Phone:(757) 366-9211 • Fax:(757) 366-9170 • E-mail: sales@bbginc.com • Website: www.bbginc.com

Chart



The BBG-UDR operates on +24 VDC power input and is capable of interfacing between a Voyage Management System or any NMEA data feed providing required messages and a Navigation Data Printer. The UDR inputs standard NMEA-0183 messages and outputs the Epson ESC/P command language to transfer text and graphical data and to control a dot matrix printer.

Technical Specifications

Parameter	Value	Units
Power Supply	+24	Volts DC
	1	Amps
Temperature Range		
Operating	0 to +50	C°
Storage	-65 to +150	C°
Inputs		
Serial message	NMEA-0183 (ZDA, HDT, XDR)	
Serial Protocol	RS-232/RS-422	
Outputs		
Serial message	Epson ESC/P Command Language	
Serial Protocol	RS-232/RS-422	
Dimensions	9H x 7.5W x 4D	in
	228.6H x 190.5W x 101.6D	cm
Weight	6	lbs



External Interfaces

UDR Input/Output

Input, output and power is available via a DB9M connector as shown in Table 2.

Cable Size and Type: 22 AWG		Cable Designation: BBG-UDR
Signal Description: ALL	Unit A- J2	
Unit Name:	UDR	
Unit Connector	DB9M	
Cable Backshell/Cable Clamp		
Mating Connector	DB9F	
Signal Name	Terminal Number	Direction
+24 VDC Ground	J1 – 1	Ground
RXD-232_IN	J1 – 2	Input
RXD232_IN Ground	J1 – 3	Ground
TXD232_OUT Ground	J1 – 4	Ground
Not Used	J1 – 5	N/C
Not Used	J1 – 6	N/C
TXD232_OUT	J1 – 7	Output
Not Used	J1 – 8	N/C
+24V DC	J1 – 9	Input

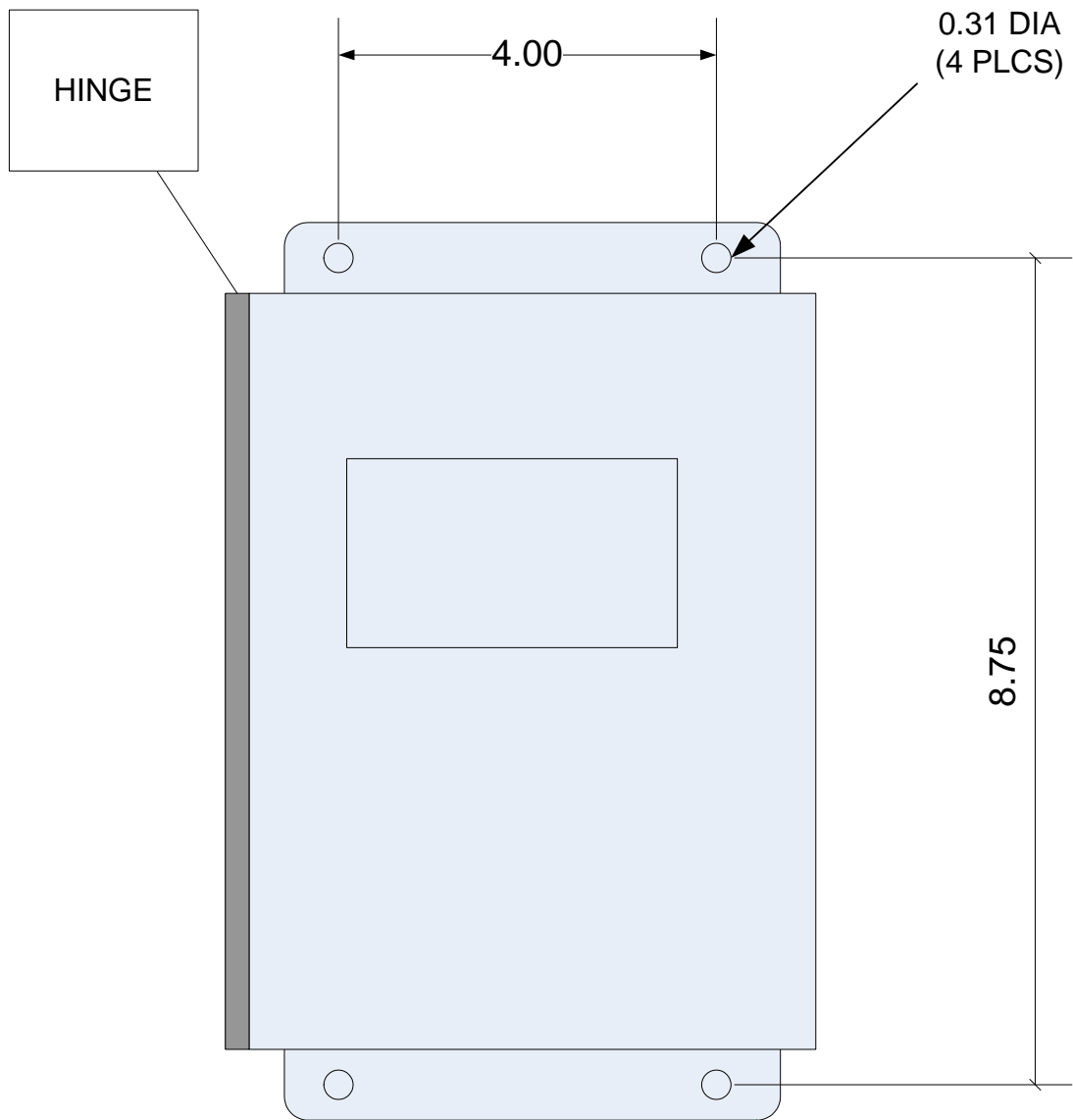
Table 2. UDR External Interfaces



1708 South Park Court • Chesapeake, VA 23320

Phone: (757) 366-9211 • Fax: (757) 366-9170

E-mail: sales@bbginc.com • Website: www.bbginc.com



**BBG-UDR-NGSM6 MOUNTING
INFORMATION**



1708 South Park Court • Chesapeake, VA 23320
Phone: (757) 366-9211 • Fax: (757) 366-9170
E-mail: sales@bbginc.com • Website: www.bbginc.com