



BBG-SMUX-E

Serial Multiplexer

Description



The BBG-SMUX-E is a stand-alone RS-422 interface with one isolated serial input channel distributed to five (5) serial output channels. The BBG-SMUX-E also multiplexes a voltage input into five (5) fused outputs. The BBG-SMUX-E contains one PW-3229.B.

Output channels are dual redundant and selectable via toggle switches located on each channel.

Applications

- Computer Systems
- Navigation Systems
- Industrial Processes
- Meteorology Instruments
- Many Others

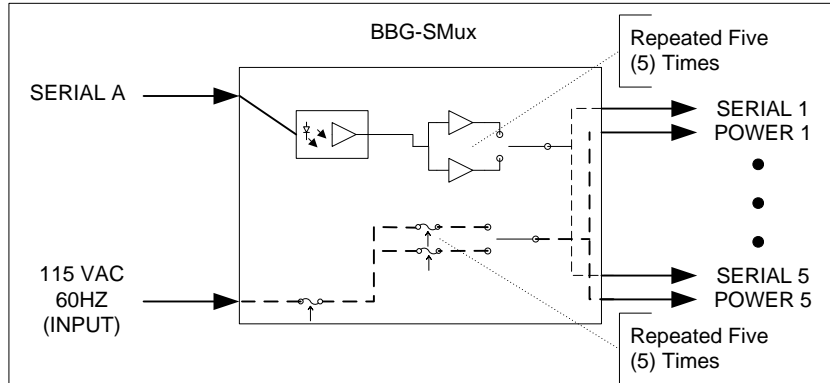
Features

- 115 VAC, 60 Hz Power Input
- One Serial RS-422 Input
- Five Serial RS-422 Outputs
- Dual Redundant Switchable Outputs
- Fused DC Power Input
- Fused DC Power Outputs

BBG Incorporated

1708 South Park Court • Chesapeake, VA 23320

Phone:(757) 366-9211 • Fax:(757) 366-9170 • E-mail: sales@bbginc.com • Website: www.bbginc.com

Chart

The BBG-SMUX-E operates on 115 VAC 60 Hz and distributes the serial input channel to the five (5) serial output channels. Output channels are switched to provide redundant or disconnect capability. Each output switch has three positions: (1) Primary, (2) Off and (3) Secondary. The BBG-SMUX-E also provides DC Voltage multiplexing.

Technical Specifications

Parameter	Value	Units
Input		
Power (60Hz)	115	Volts AC
	60	Hertz
	3.15	Amps
Serial	RS-422	
Output		
Serial	Redundant RS-422	
Repeater Power (Per Channel)	Input Voltage	Volts DC
	1 (Fused)	Amp
Environmental		
NEMA Standard	Type 12, 13	
Temperature Range		
Operating	-25 to +70	°C
Storage	-65 to +125	°C
Dimensions (H x W x D)	10 x 8 x 4	In
	25.4 x 20.3 x 10.2	Cm



CONNECTOR LIST

Inputs and outputs are available on terminal block connectors provided with the BBG-SMUX-E. The inputs and outputs of the unit are listed below:

I/O CONNECTOR TYPE: Terminal Blocks

CONNECTOR MATE: Ferrules

TB1 AC POWER

Signal	Connector
115V AC 60 Hz NEUTRAL (FUSED INPUT) (3.15 Amp)	TB1 - 1
115V AC 60 Hz LINE (FUSED INPUT) (3.15 Amp)	TB1 - 2
Chassis Ground (E1)	TB1 - 3

BBG-SMUX (PW-3229.B) Inputs:

Signal	Connector
+24 VDC (INPUT)	TB11 - 1
+24 VDC RETURN (INPUT)	TB11 - 2
RS422(A)- Serial Channel A (INPUT)	TB11 - 3
RS422(B)+ Serial Channel A (INPUT)	TB11 - 4

BBG-SMUX (PW-3229.B) Outputs:

Signal	Connector
+24 VDC (OUTPUT)	TB21 - 1
+24 VDC RETURN (OUTPUT)	TB21 - 2
RS422(A)- Serial Channel 1 (OUTPUT)	TB21 - 3
RS422(B)+ Serial Channel 1 (OUTPUT)	TB21 - 4



BBG-SMUX-E**Product Specifications**

Signal	Connector
+24 VDC (OUTPUT)	TB22 – 1
+24 VDC RETURN (OUTPUT)	TB22 – 2
RS422(A)- Serial Channel 2 (OUTPUT)	TB22 – 3
RS422(B)+ Serial Channel 2 (OUPUT)	TB22 – 4

Signal	Connector
+24 VDC (OUTPUT)	TB23 – 1
+24 VDC RETURN (OUTPUT)	TB23 – 2
RS422(A)- Serial Channel 3 (OUTPUT)	TB23 – 3
RS422(B)+ Serial Channel 3 (OUPUT)	TB23 – 4

Signal	Connector
+24 VDC (OUTPUT)	TB24 – 1
+24 VDC RETURN (OUTPUT)	TB24 – 2
RS422(A)- Serial Channel 4 (OUTPUT)	TB24 – 3
RS422(B)+ Serial Channel 4 (OUPUT)	TB24 – 4

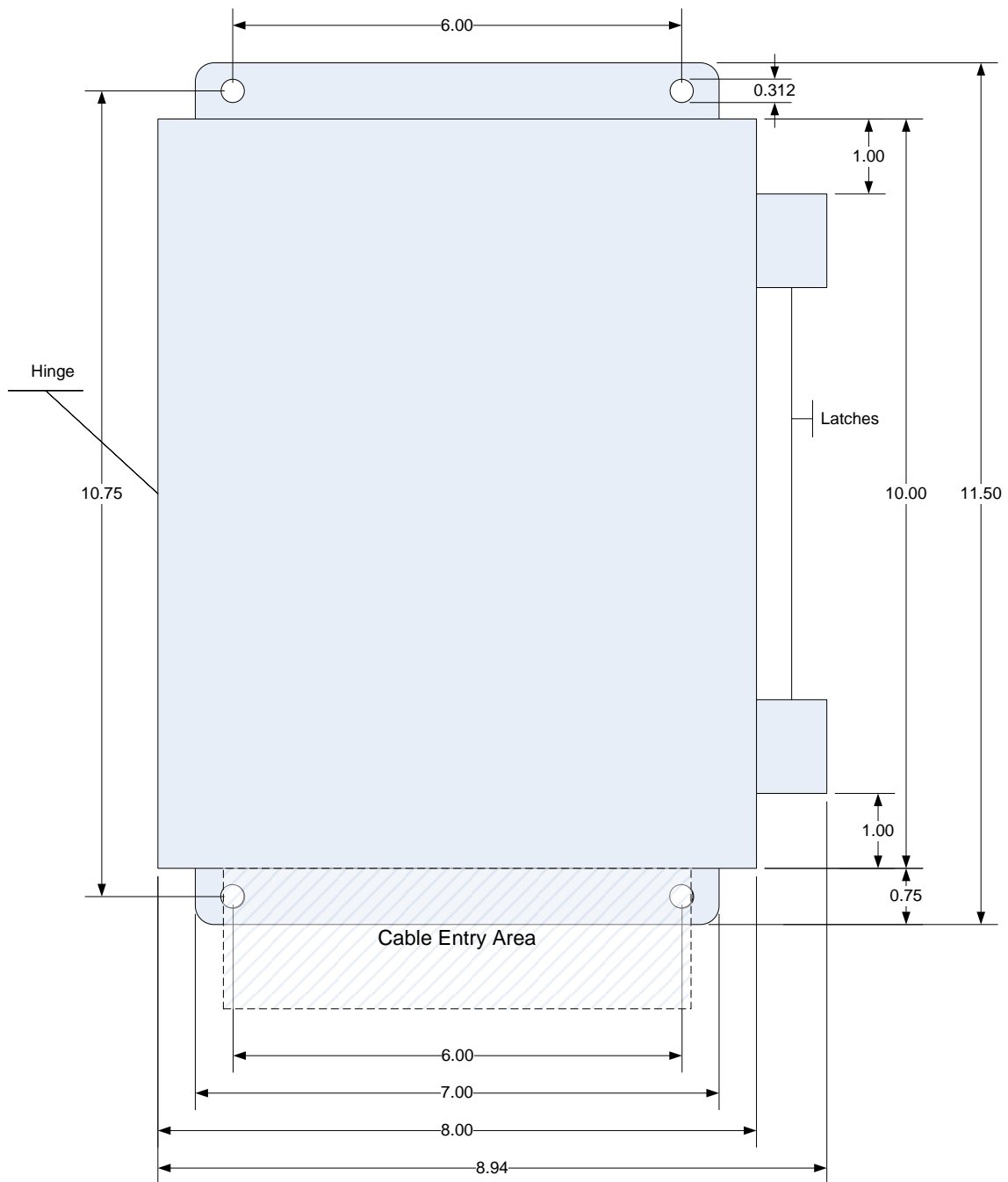
Signal	Connector
+24 VDC (OUTPUT)	TB25 – 1
+24 VDC RETURN (OUTPUT)	TB25 – 2
RS422(A)- Serial Channel 5 (OUTPUT)	TB25 – 3
RS422(B)+ Serial Channel 5 (OUPUT)	TB25 – 4



1708 South Park Court • Chesapeake, VA 23320
Phone: (757) 366-9211 • Fax: (757) 366-9170
E-mail: sales@bbginc.com • Website: www.bbginc.com

BBG-SMUX-E

Product Specifications



1708 South Park Court • Chesapeake, VA 23320
Phone: (757) 366-9211 • Fax: (757) 366-9170
E-mail: sales@bbginc.com • Website: www.bbginc.com

NOTES



NOTES



NOTES

